

WINDSOR DOOR
PAINT GRADE - OYSTER
SHAKER CROWN MOLDING
TOE KICK + SQUARE SHOE BASE MOLDING

FROST WHITE QUARTZ
1/4 ROUND EDGE
NO BACKSPLASH

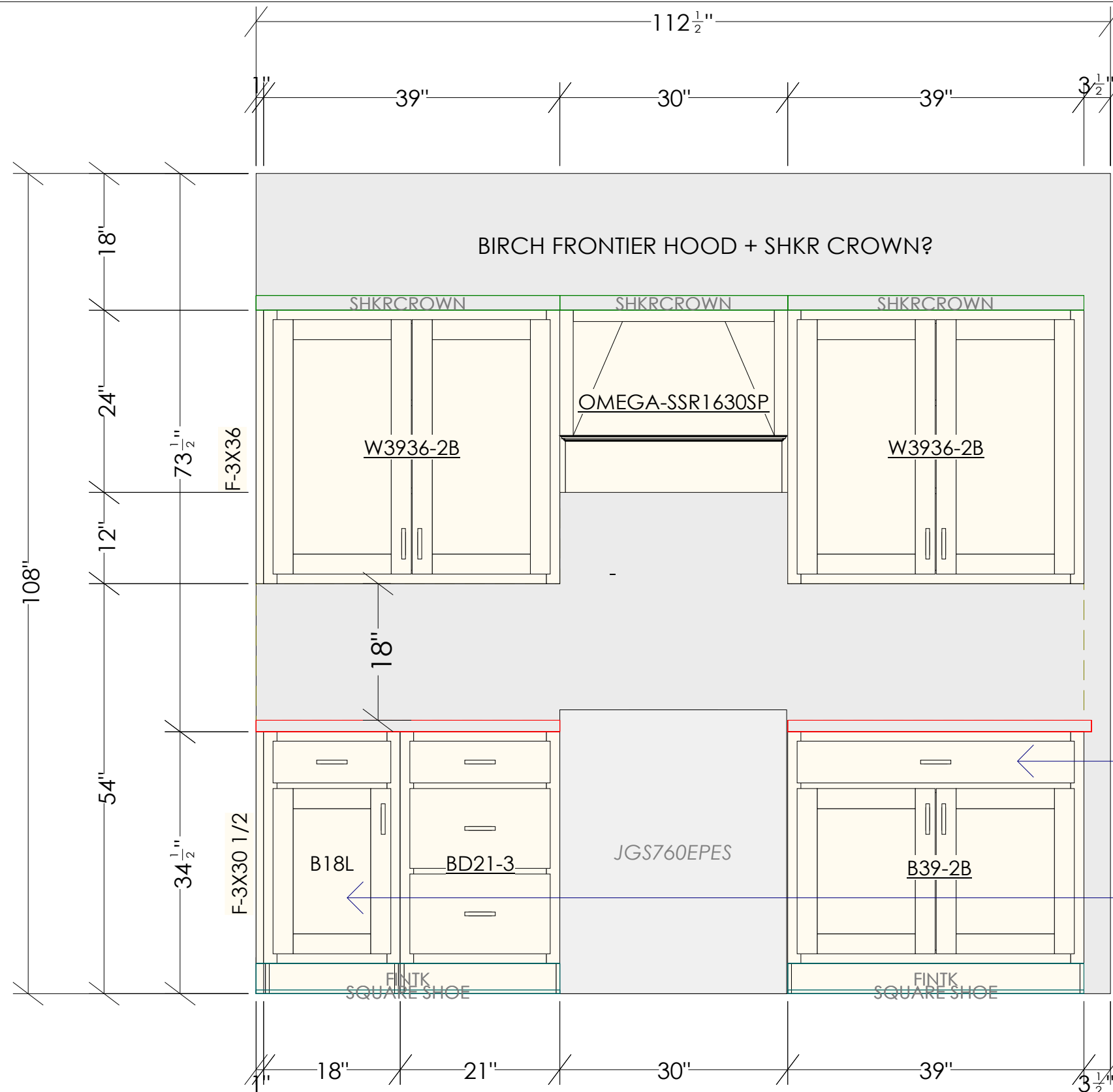
HDWR: 192 MM PULLS
FINISH: MATTE BLACK
QTY: 18

All dimensions & size designations given are subject to verification on job site and adjustment to fit job conditions.



This is an original design and must not be released or copied unless applicable fee has been paid or job order placed.

Designed: 6/26/2024
 Printed: 7/16/2024



WINDSOR DOOR
PAINTE GRADE - OYSTER
SHAKER CROWN MOLDING
TOE KICK + SQUARE SHOE BASE MOLDING

FROST WHITE QUARTZ
1/4 ROUND EDGE
NO BACKSPLASH

HDWR: 192MM PULLS
FINISH: MATTE BLACK
QTY: 12

← SPICE INSERT + UTILITY INSERT

← BASE PULL OUT ORGANIZER INSERT

All dimensions & size designations given are subject to verification on job site and adjustment to fit job conditions.



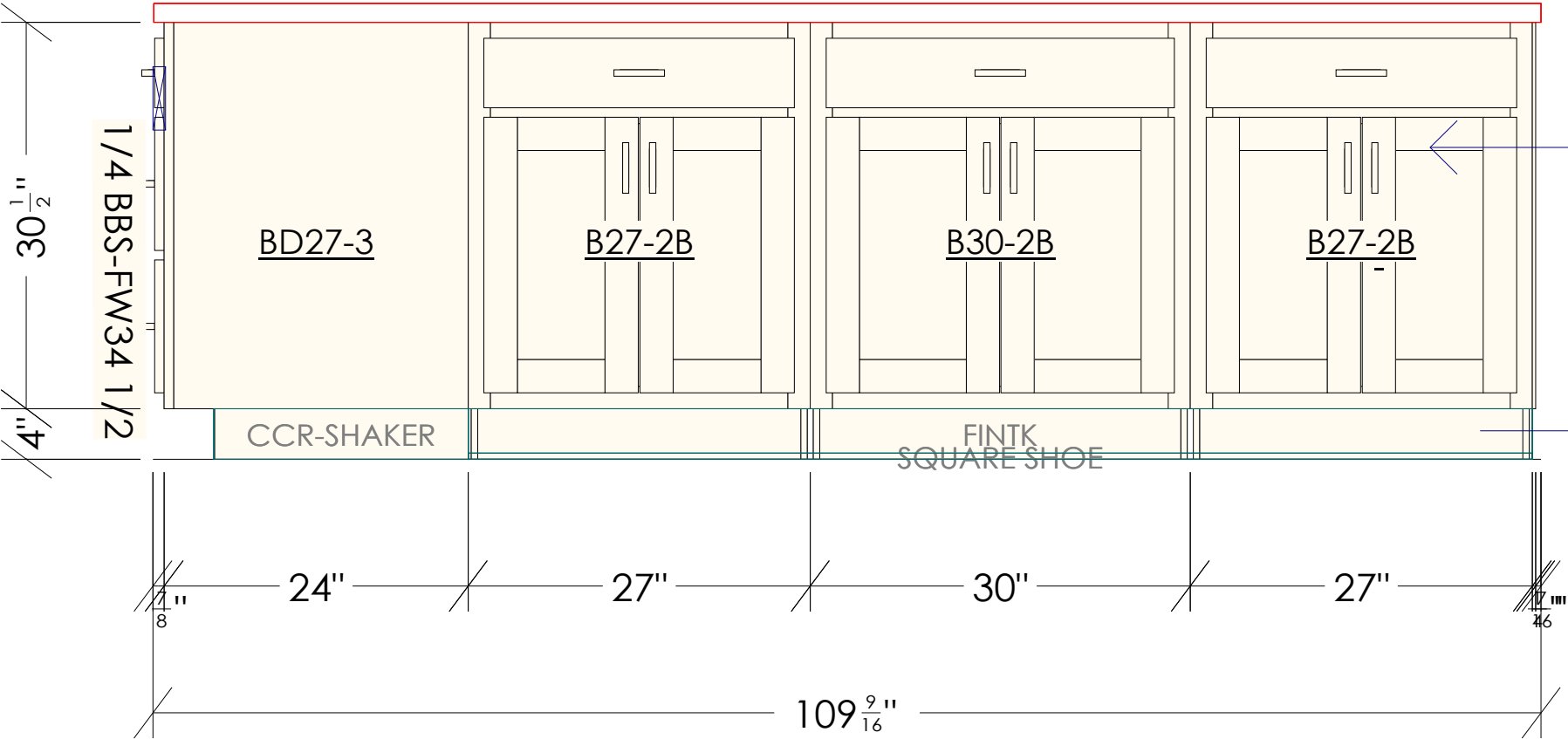
This is an original design and must not be released or copied unless applicable fee has been paid or job order placed.

Designed: 6/26/2024
 Printed: 7/16/2024

**WINDSOR DOOR
 BIRCH FRONTIER
 TOE KICK + SQUARE SHOE BASE MOLDING**

**FROST WHITE QUARTZ
 1/4 ROUND EDGE**

**HDWR: 192 MM PULLS
 FINISH: MATTE BLACK
 QTY: 9**



All dimensions & size designations given are subject to verification on job site and adjustment to fit job conditions.



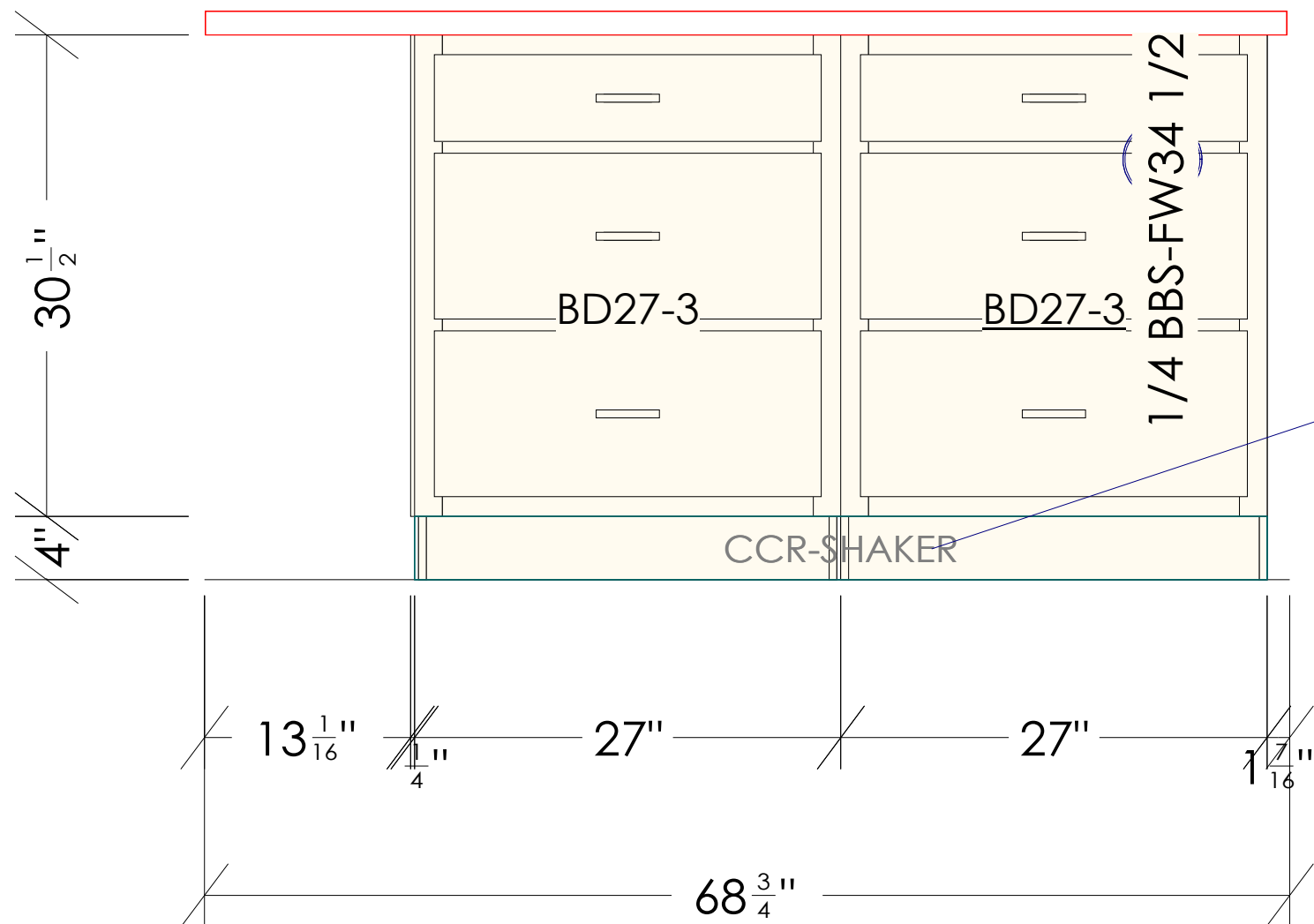
This is an original design and must not be released or copied unless applicable fee has been paid or job order placed.

Designed: 6/26/2024
 Printed: 7/16/2024


**WINDSOR DOOR
BIRCH FRONTIER
TOE KICK + 6" STOCK BASE MOLDING**

**FROST WHITE QUARTZ
1/4 ROUND EDGE**

**HDWR: 192 MM PULLS
FINISH: MATTE BLACK
QTY: 6**



CCR-6 MOLDING ORDERED TO WRAP FRONT OF CABINETS

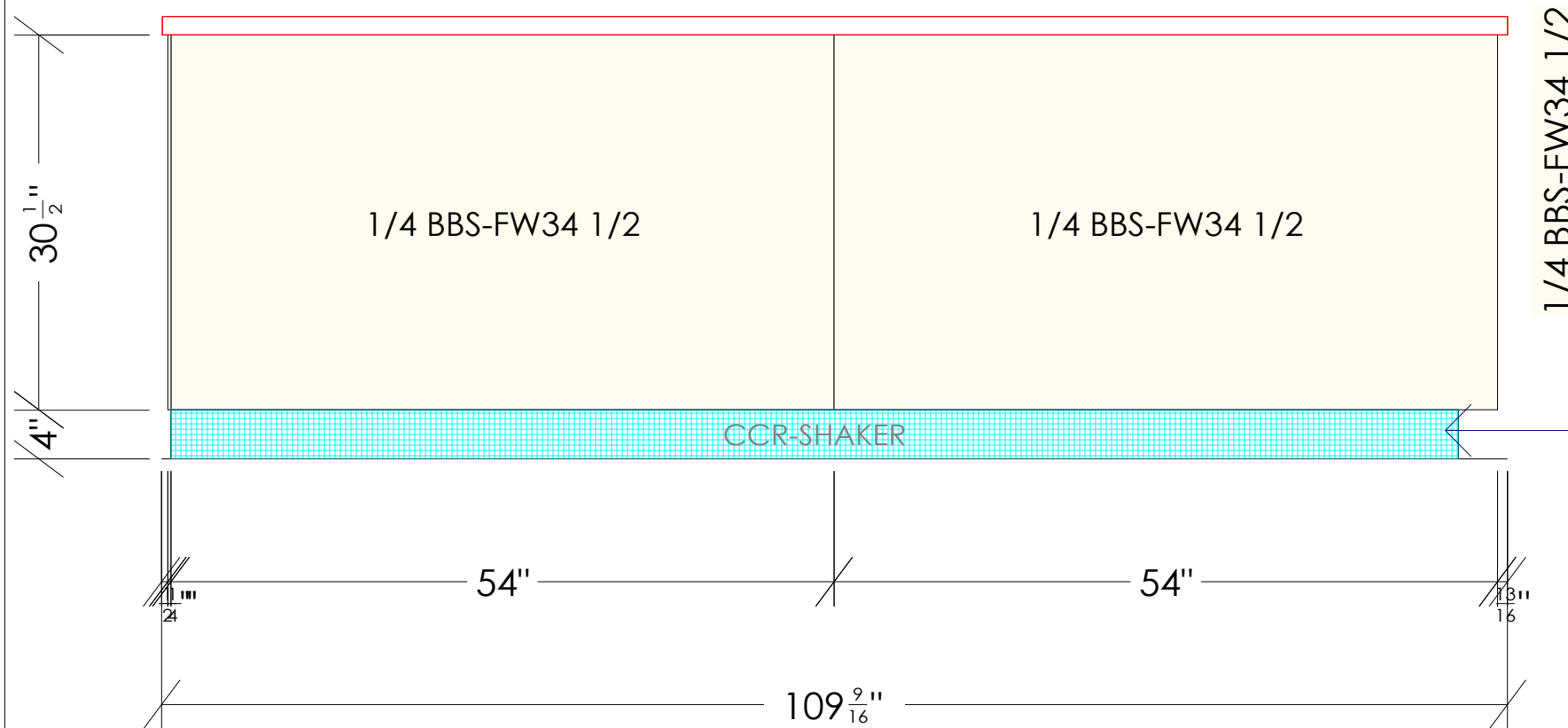
<p>All dimensions & size designations given are subject to verification on job site and adjustment to fit job conditions.</p>		<p>This is an original design and must not be released or copied unless applicable fee has been paid or job order placed.</p>	<p>Designed: 6/26/2024 Printed: 7/16/2024</p>
---	---	---	---

OUTCORN MOLDING
ON CORNERS

BATTEN MOLDING
TO COVER SEAM
OF BACK PANELS

WINDSOR DOOR
BIRCH FRONTIER
6" STOCK BASE MOLDING

FROST WHITE QUARTZ
1/4 ROUND EDGE



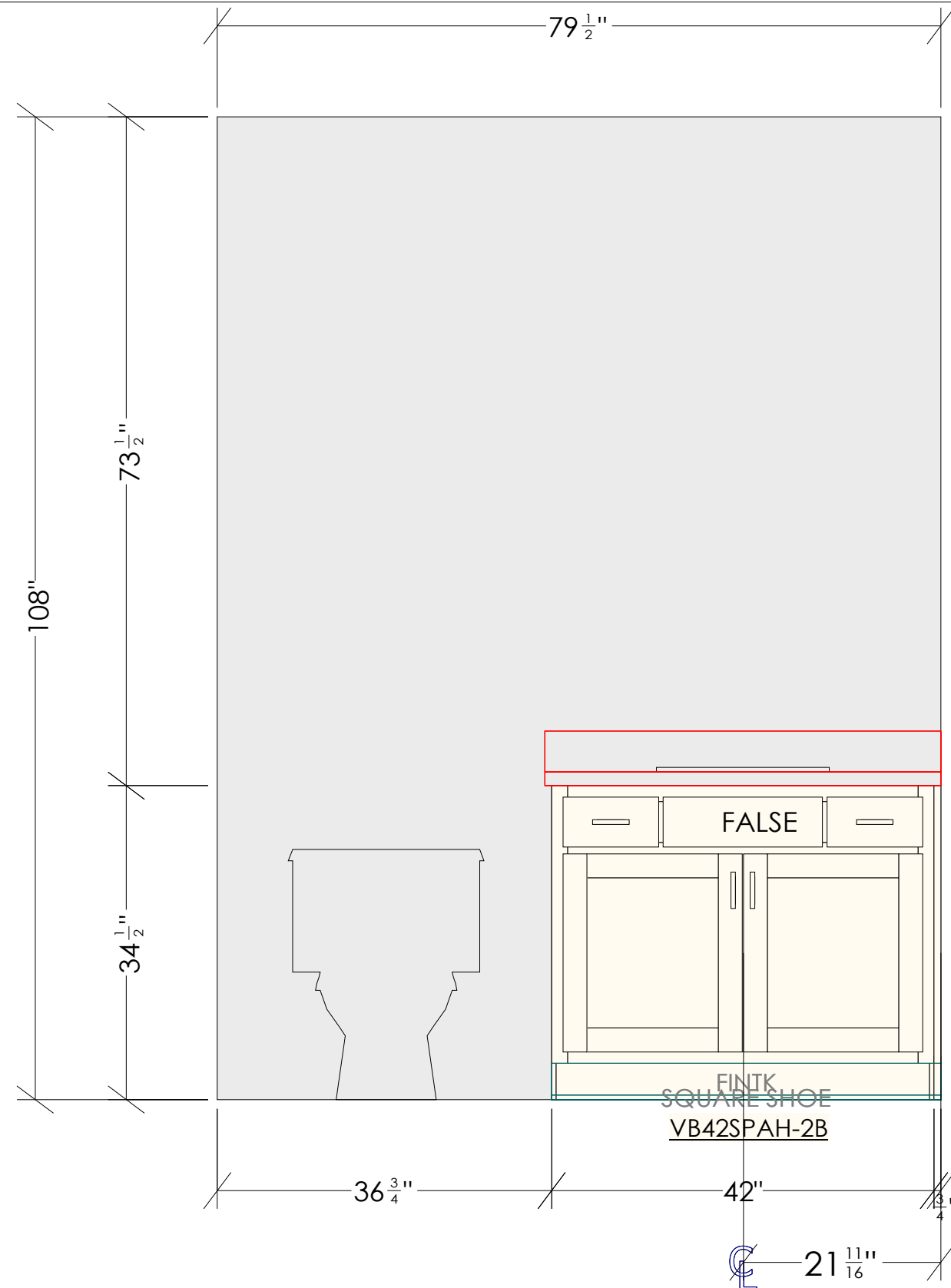
TOE KICK TO BE BUILT OUT FLUSH ON SITE,
6" STOCK MOLDING TO WRAP AROUND BACK

All dimensions & size designations given are subject to verification on job site and adjustment to fit job conditions.



This is an original design and must not be released or copied unless applicable fee has been paid or job order placed.

Designed: 6/26/2024
Printed: 7/16/2024



WINDSOR DOOR
 BIRCH FRONTIER
 TOE KICK + SQUARE SHOE BASE MOLDING

LAMINATE
 WATERFALL EDGE
 STANDARD BACKSPLASH

HDWR: 160MM PULLS
 FINISH: MATTE BLACK
 QTY: 4

NO SHELVING
 IN VANITY

F-3X30 1/2

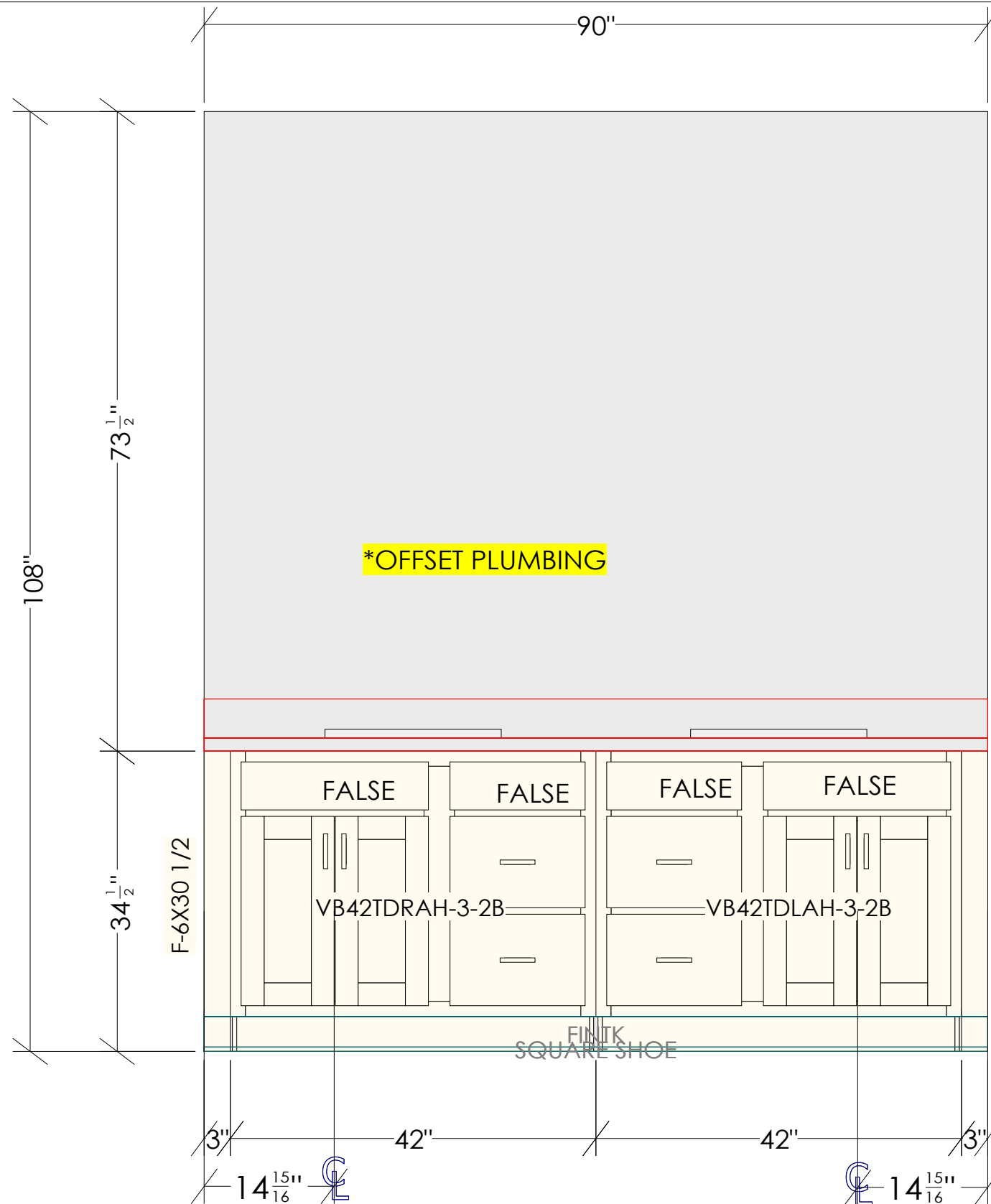
FINTK
 SQUARE SHOE
 VB42SPAH-2B

All dimensions & size designations given are subject to verification on job site and adjustment to fit job conditions.



This is an original design and must not be released or copied unless applicable fee has been paid or job order placed.

Designed: 6/26/2024
 Printed: 7/16/2024



**WINDSOR DOOR
BIRCH FRONTIER
TOE KICK + SQUARE SHOE BASE MOLDING**

**FROST WHITE QUARTZ
1/4 ROUND EDGE
STANDARD BACKSPLASH**

**HDWR: 160MM PULLS
FINISH: MATTE BLACK
QTY: 8**

***OFFSET PLUMBING**

FALSE

FALSE

FALSE

FALSE

VB42TDRAH-3-2B

VB42DLAH-3-2B

TOE KICK
SQUARE SHOE

14 ¹⁵/₁₆

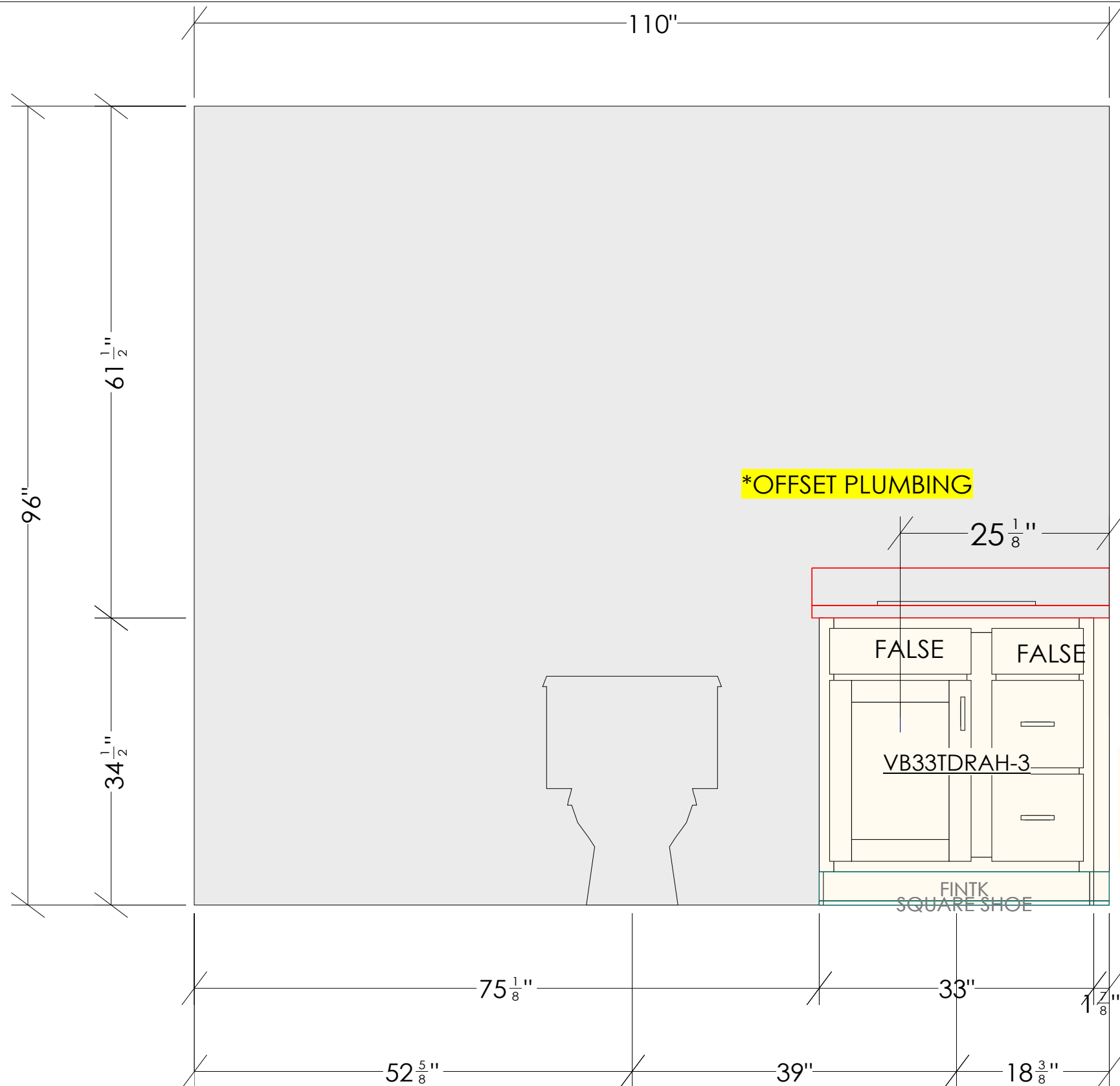
14 ¹⁵/₁₆

All dimensions & size designations given are subject to verification on job site and adjustment to fit job conditions.



This is an original design and must not be released or copied unless applicable fee has been paid or job order placed.

Designed: 6/26/2024
Printed: 7/16/2024



WINDSOR DOOR
BIRCH FRONTIER
TOE KICK + SQUARE SHOE BASE MOLDING

ARENITE CREAM LAMINATE
WATERFALL EDGE
STANDARD BACKSPLASH

HDWR: 160MM PULLS
FINISH: MATTE BLACK
QTY: 3

***OFFSET PLUMBING**

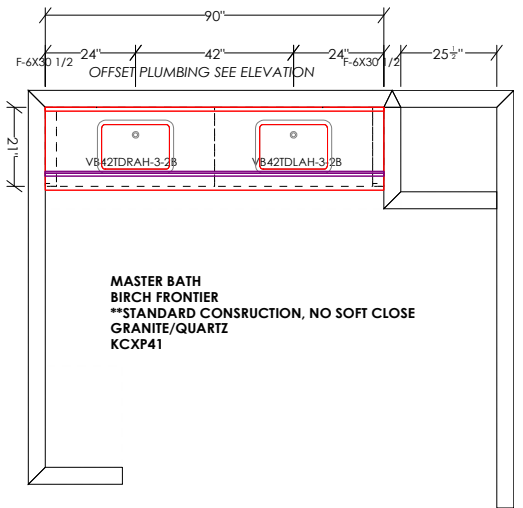
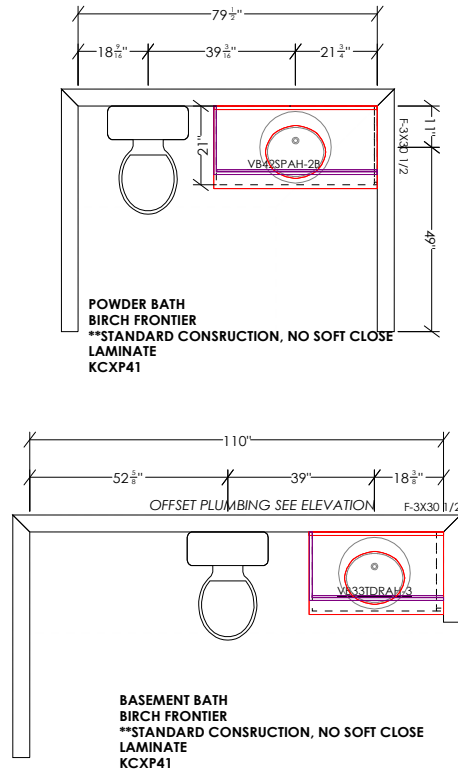
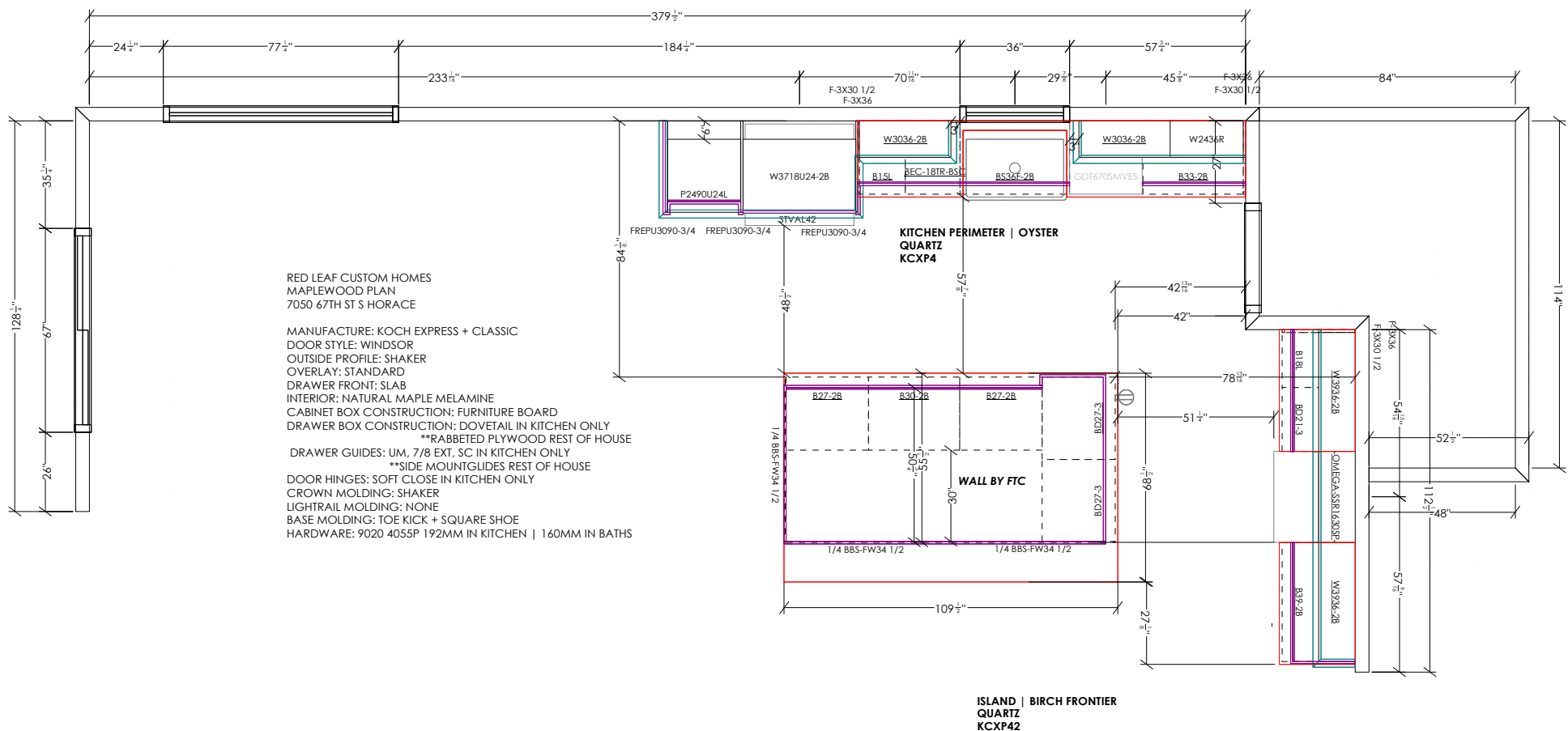
F-3X30 1/2
NO SHELVING
IN VANITY

All dimensions & size designations given are subject to verification on job site and adjustment to fit job conditions.



This is an original design and must not be released or copied unless applicable fee has been paid or job order placed.

Designed: 6/26/2024
 Printed: 7/16/2024



All dimensions size designations given are subject to verification on job site and adjustment to fit job conditions.



This is an original design and must not be released or copied unless applicable fee has been paid or job order placed.

Designed: 6/26/2024
 Printed: 7/16/2024