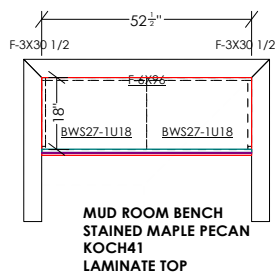
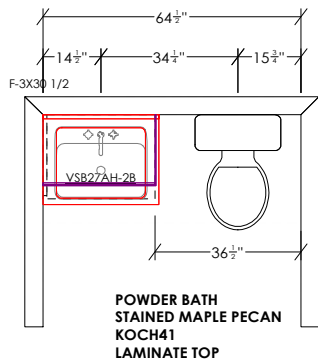


**LAUNDRY ROOM**  
PAINTED IVORY  
KCXP4



**MUD ROOM BENCH**  
STAINED MAPLE PECAN  
KOCH41  
LAMINATE TOP

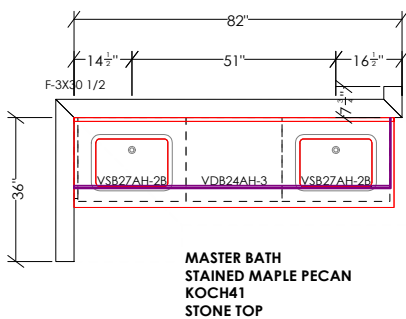


**POWDER BATH**  
STAINED MAPLE PECAN  
KOCH41  
LAMINATE TOP

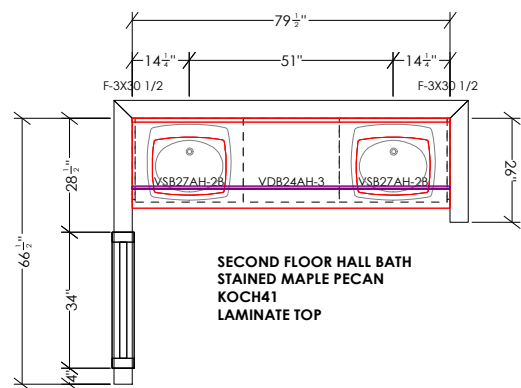
RED LEAF CUSTOM HOMES | AFTON PLAN  
7457 EAGLE POINTE DRIVE S, FARGO

MANUFACTURE: KOCH CLASSIC  
DOOR STYLE: PLATEAU  
OUTSIDE PROFILE: 4348 DETAILED EDGE  
OVERLAY: FULL OVERLAY  
DRAWER FRONT: 5-PIECE  
INTERIOR: NATURAL MAPLE MELAMINE  
CABINET BOX CONSTRUCTION: FURNITURE BOARD  
DRAWER BOX CONSTRUCTION: DOVETAIL  
DRAWER GUIDES: UM, FE, SC  
DOOR HINGES: SOFT CLOSE

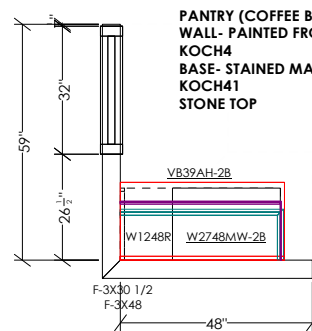
CROWN MOLDING: STACKED STOCK MOLDINGS  
LIGHTRAIL MOLDING: NONE  
BASE MOLDING: TOE KICK + SHOE



**MASTER BATH**  
STAINED MAPLE PECAN  
KOCH41  
STONE TOP



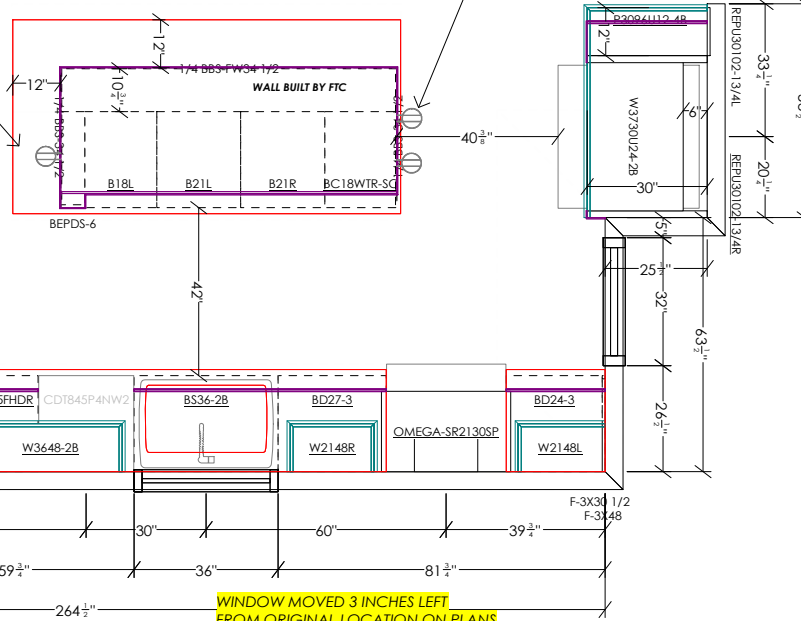
**SECOND FLOOR HALL BATH**  
STAINED MAPLE PECAN  
KOCH41  
LAMINATE TOP



**PANTRY (COFFEE BAR)**  
WALL - PAINTED FROST  
KOCH4  
BASE - STAINED MAPLE PECAN  
KOCH41  
STONE TOP

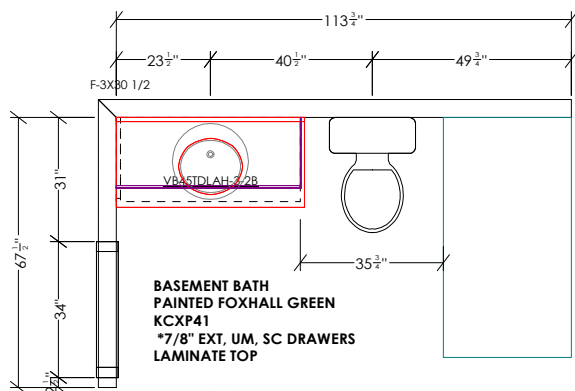
\*ONE RECEPTACLE TO GO ON THIS SIDE OF ISLAND, CUT INTO PANEL, CUSTOMER PROVIDING GOLD RECEPTACLES

\*TWO HORIZONTAL RECEPTACLES ON FRIDGE SIDE OF ISLAND, CUSTOMER PROVIDING GOLD RECEPTACLES

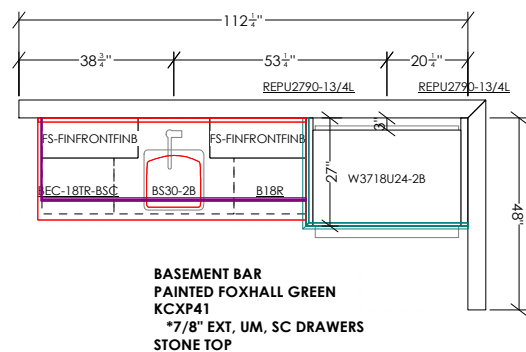


**KITCHEN**  
TALLS/UPPERS - PAINTED FROST  
KOCH4  
ISLAND/BASES - STAINED MAPLE PECAN  
KOCH41  
STONE TOPS

WINDOW MOVED 3 INCHES LEFT FROM ORIGINAL LOCATION ON PLANS



**BASEMENT BATH**  
PAINTED FOXHALL GREEN  
KCXP41  
\*7/8\" EXT, UM, SC DRAWERS  
LAMINATE TOP



**BASEMENT BAR**  
PAINTED FOXHALL GREEN  
KCXP41  
\*7/8\" EXT, UM, SC DRAWERS  
STONE TOP

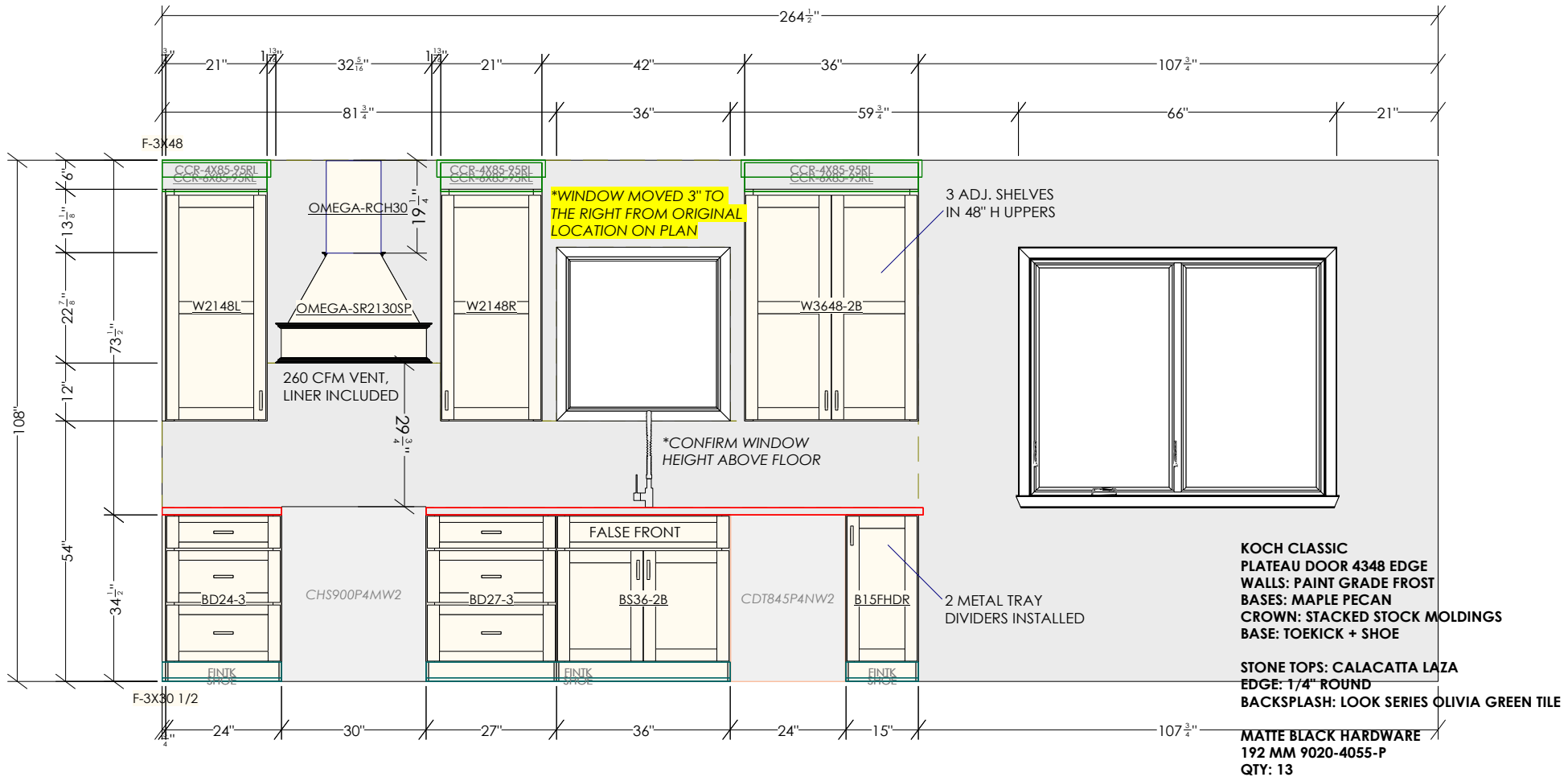
Dimensions and size are subject to verify on the job site and adjustment to fit job conditions. This is an original design and must not be released or copied unless applicable fee has been paid or job order placed.



DESIGN STUDIO 360  
FLOOR TO CEILING  
360 36TH STREET SOUTH  
FARGO, ND 58103  
P.701.237.6601  
DESIGNED BY: TAYLOR

Designed: 10/5/2024  
Printed: 10/8/2024

DS Initial  
MB BB

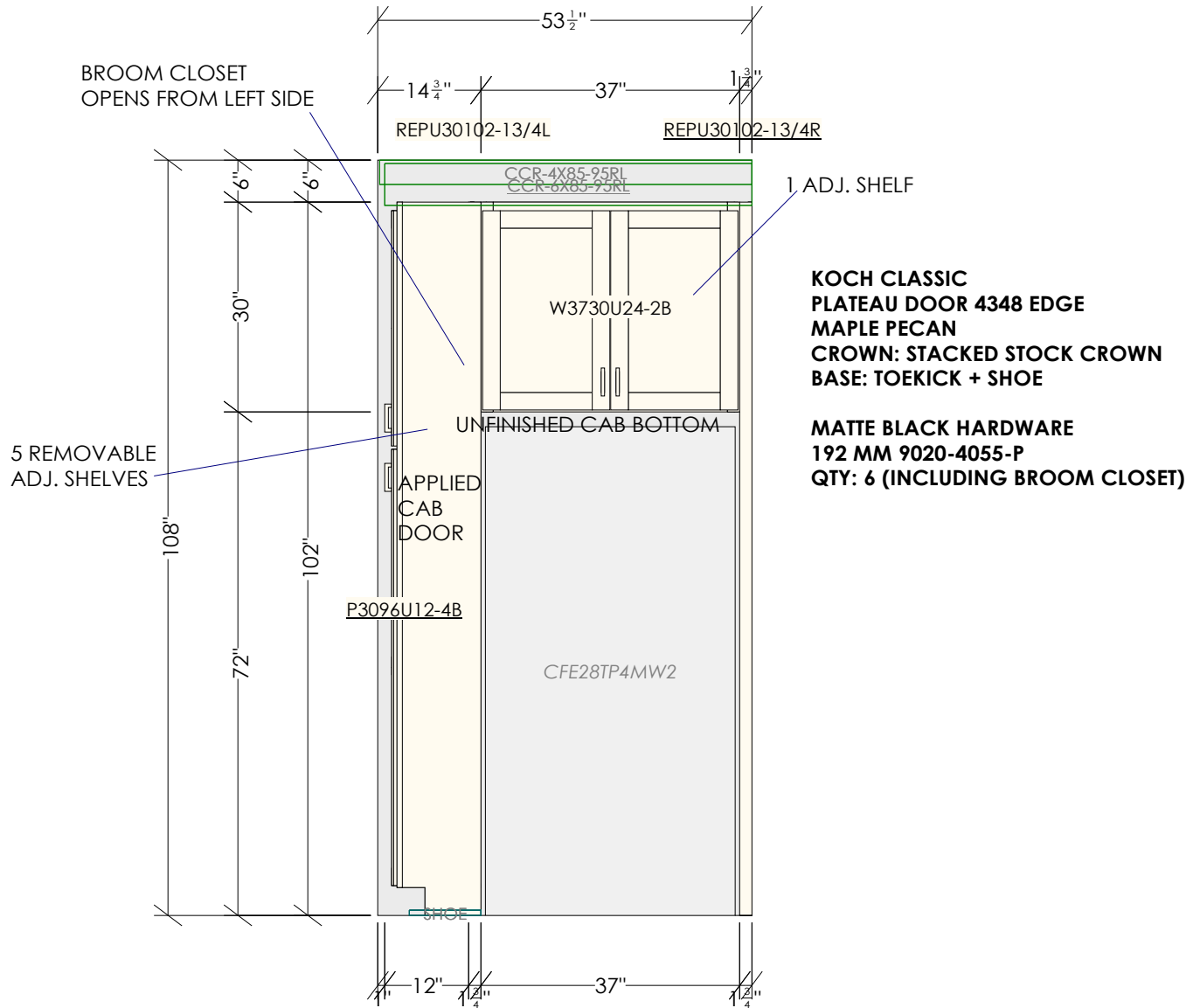


Dimensions and size are subject to verify on the job site and adjustment to fit job conditions. This is an original design and must not be released or copied unless applicable fee has been paid or job order placed.



DESIGN STUDIO 360  
 FLOOR TO CEILING  
 360 36TH STREET SOUTH  
 FARGO, ND 58103  
 P.701.237.6601  
 DESIGNED BY: TAYLOR

Designed: 10/5/2024  
 Printed: 10/8/2024



Dimensions and size are subject to verify on the job site and adjustment to fit job conditions. This is an original design and must not be released or copied unless applicable fee has been paid or job order placed.

DESIGN

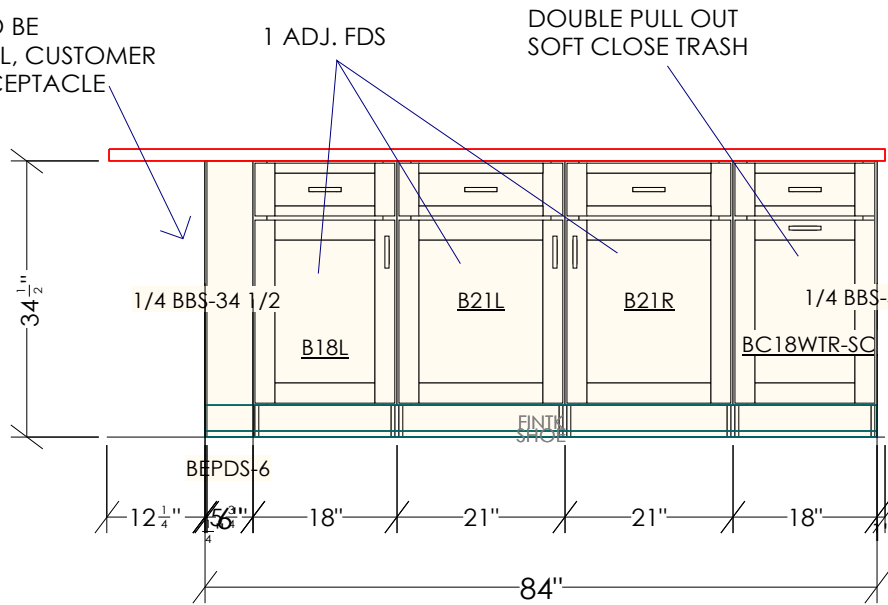


STUDIO

DESIGN STUDIO 360  
 FLOOR TO CEILING  
 360 36TH STREET SOUTH  
 FARGO, ND 58103  
 P.701.237.6601  
 DESIGNED BY: TAYLOR

Designed: 10/5/2024  
 Printed: 10/8/2024

\*ONE RECEPTACLE TO BE PLACED IN END PANEL, CUSTOMER PROVIDED GOLD RECEPTACLE



**KOCH CLASSIC**  
**PLATEAU DOOR 4348 EDGE**  
**MAPLE PECAN**  
**BASE: TOEKICK + SHOE**

**STONE TOPS: CALACATTA LAZA**  
**EDGE: 1/4" ROUND**

**MATTE BLACK HARDWARE**  
**192 MM 9020-4055-P**  
**QTY: 8**

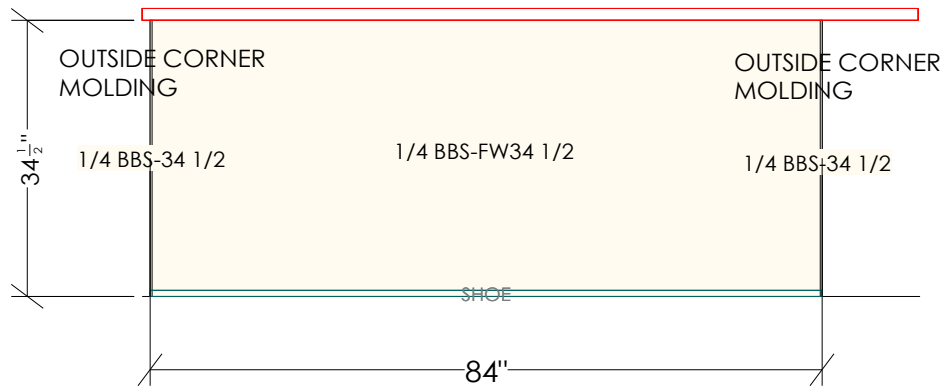
\*TWO HORIZONTAL RECEPTACLES ON FRIDGE SIDE OF ISLAND, CUSTOMER PROVIDED GOLD RECEPTACLES

Dimensions and size are subject to verify on the job site and adjustment to fit job conditions. This is an original design and must not be released or copied unless applicable fee has been paid or job order placed.



DESIGN STUDIO 360  
 FLOOR TO CEILING  
 360 36TH STREET SOUTH  
 FARGO, ND 58103  
 P.701.237.6601  
 DESIGNED BY: TAYLOR

Designed: 10/5/2024  
 Printed: 10/8/2024



**KOCH CLASSIC  
MAPLE PECAN  
BASE: SHOE**

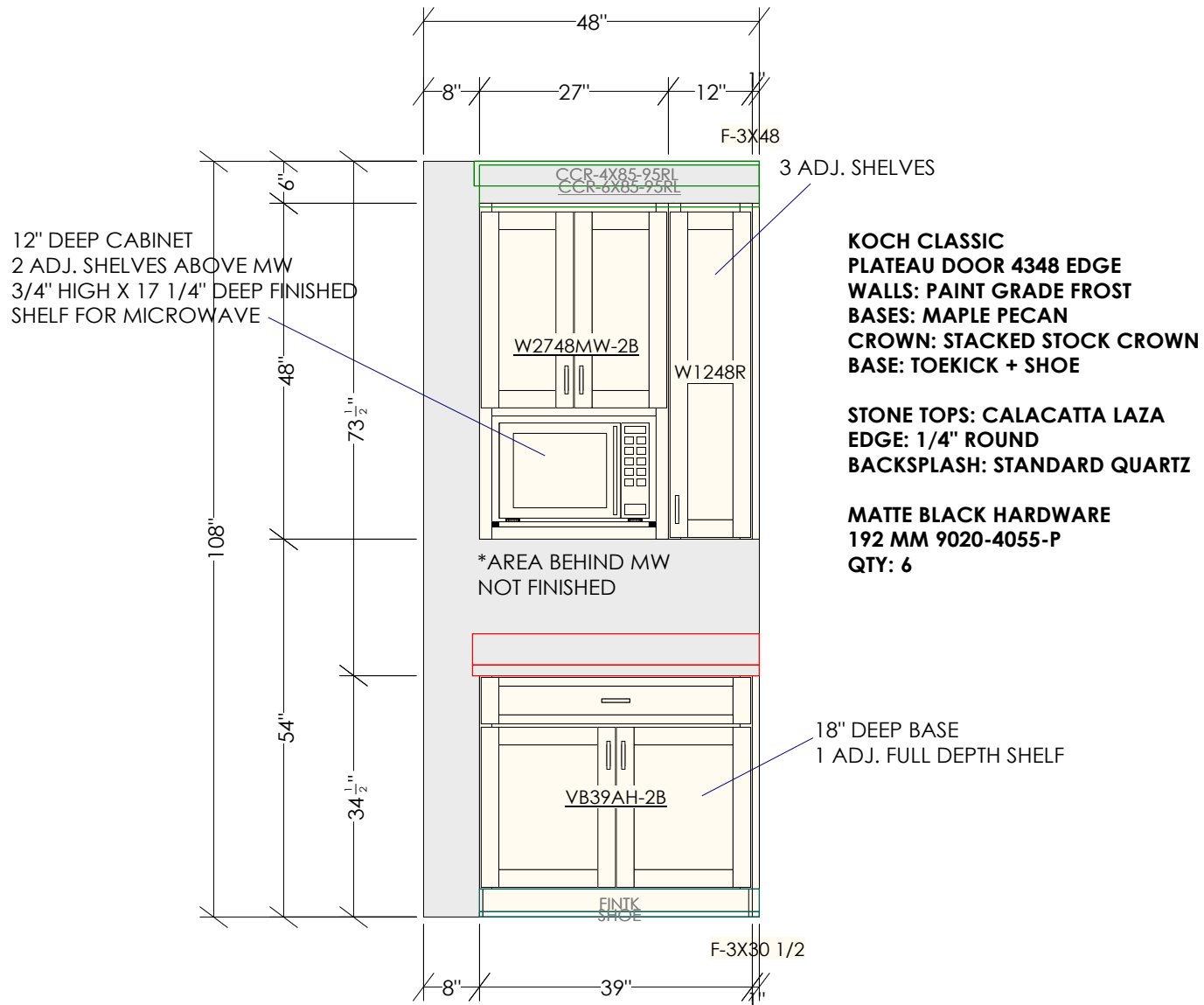
**STONE TOPS: CALACATTA LAZA  
EDGE: 1/4" ROUND**

Dimensions and size are subject to verify on the job site and adjustment to fit job conditions. This is an original design and must not be released or copied unless applicable fee has been paid or job order placed.



DESIGN STUDIO 360  
FLOOR TO CEILING  
360 36TH STREET SOUTH  
FARGO, ND 58103  
P.701.237.6601  
DESIGNED BY: TAYLOR

Designed: 10/5/2024  
Printed: 10/8/2024



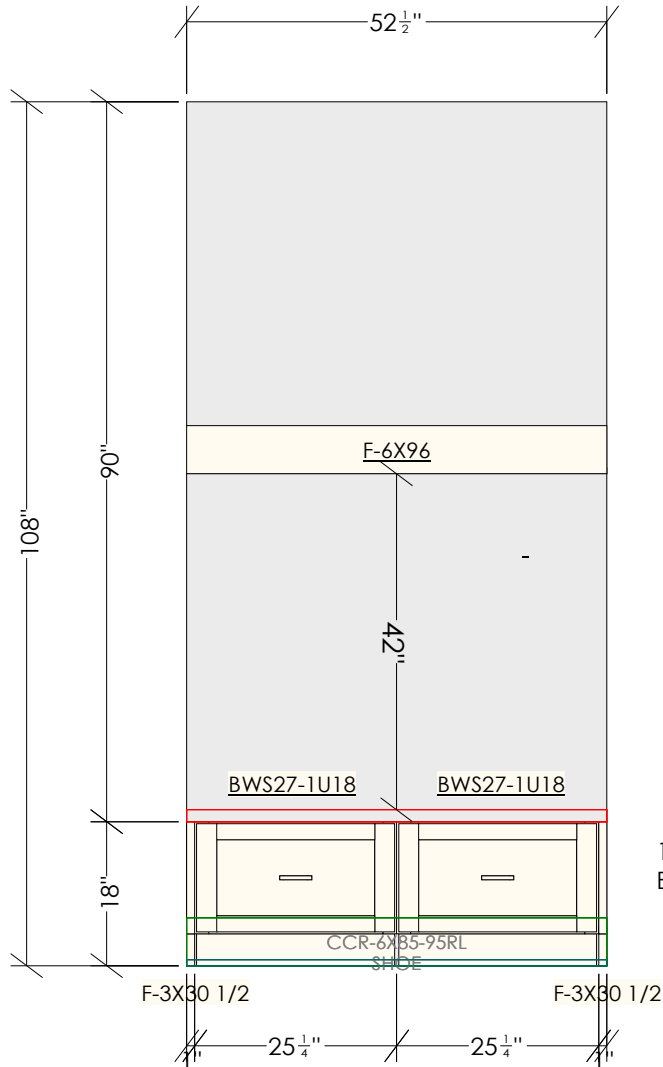
Dimensions and size are subject to verify on the job site and adjustment to fit job conditions. This is an original design and must not be released or copied unless applicable fee has been paid or job order placed.



DESIGN STUDIO 360  
FLOOR TO CEILING  
360 36TH STREET SOUTH  
FARGO, ND 58103  
P.701.237.6601  
DESIGNED BY: TAYLOR

Designed: 10/5/2024  
Printed: 10/8/2024





**KOCH CLASSIC  
 PLATEAU DOOR 4348 EDGE  
 MAPLE PECAN  
 BASE: TOEKICK + SHOE**

**LAMINATE TOP: FORMICA CALACATTA MARBLE  
 3460-11**

**WATERFALL EDGE  
 NO BACKSPLASH**

**MATTE BLACK HARDWARE  
 192 MM 9020-4055-P  
 QTY: 2**

**18" HIGH X 18" DEEP  
 BENCH SEAT DRAWERS**

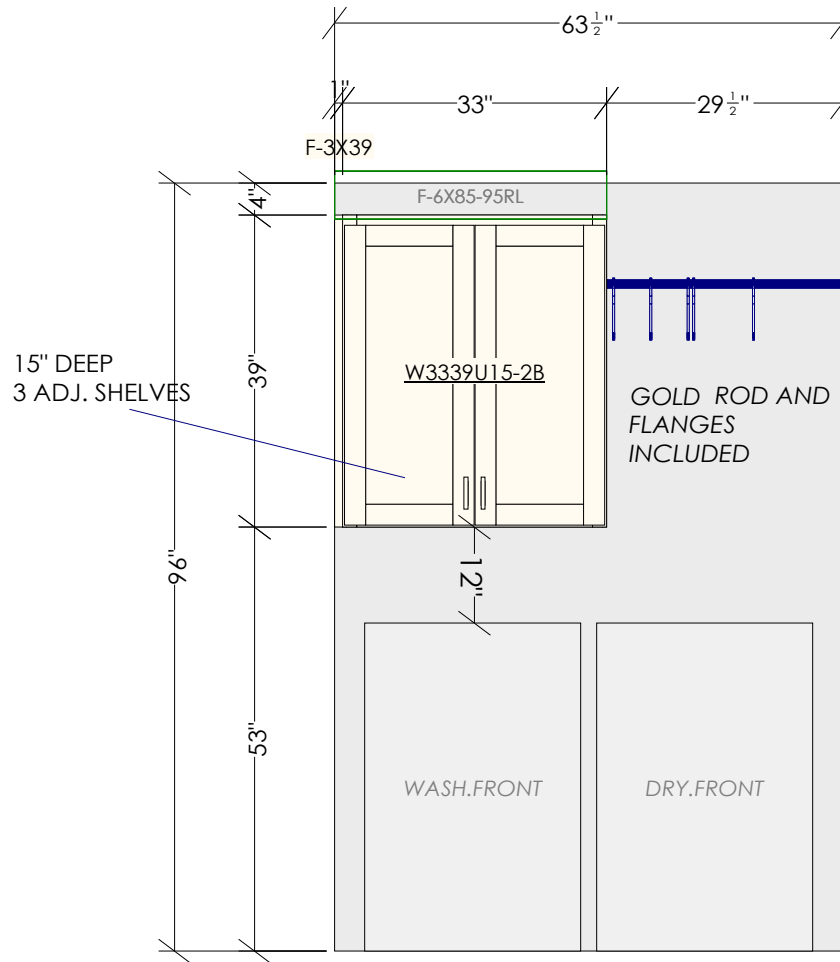
Dimensions and size are subject to verify on the job site and adjustment to fit job conditions. This is an original design and must not be released or copied unless applicable fee has been paid or job order placed.



**DESIGN STUDIO 360  
 FLOOR TO CEILING  
 360 36TH STREET SOUTH  
 FARGO, ND 58103  
 P.701.237.6601  
 DESIGNED BY: TAYLOR**

Designed: 10/5/2024  
 Printed: 10/8/2024





**KOCH EXPRESS  
WINDSOR DOOR SHAKER EDGE  
PAINT GRADE IVORY  
CROWN: 6" FILLER/STOCK**

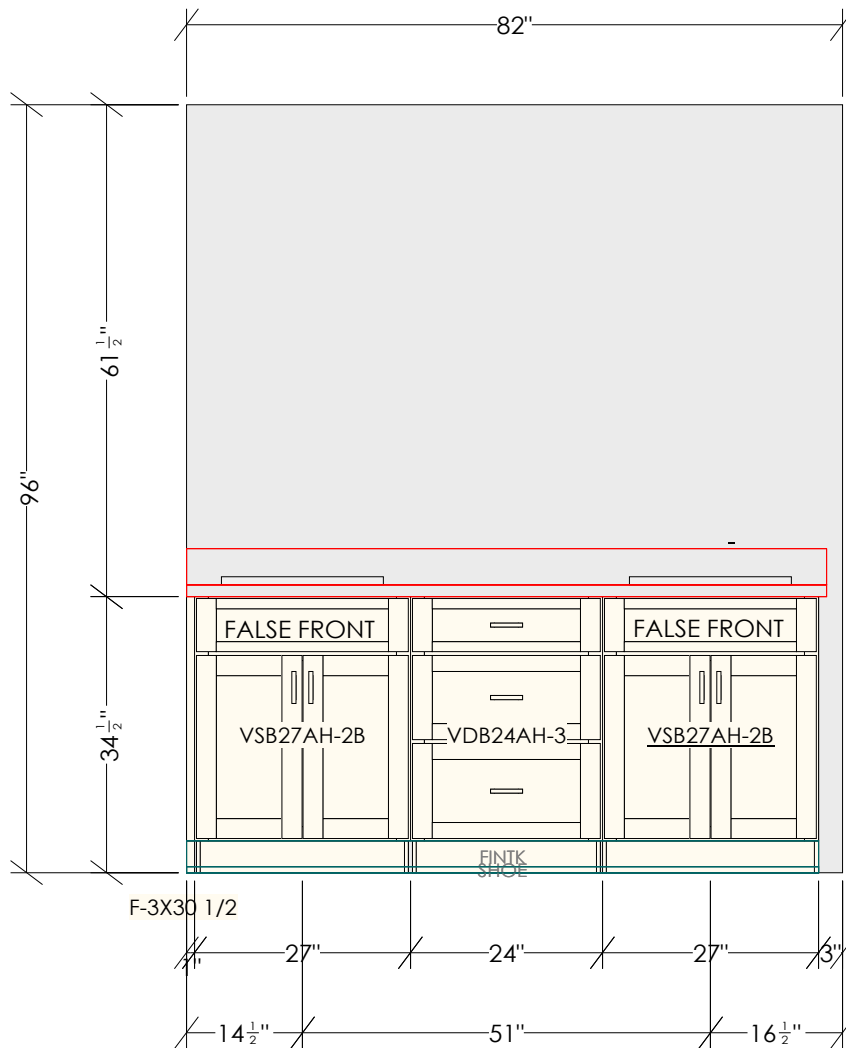
**GOLD/CHAMPAGNE HARDWARE  
192 MM 9028-40CZ-P  
QTY: 2**

Dimensions and size are subject to verify on the job site and adjustment to fit job conditions. This is an original design and must not be released or copied unless applicable fee has been paid or job order placed.



DESIGN STUDIO 360  
FLOOR TO CEILING  
360 36TH STREET SOUTH  
FARGO, ND 58103  
P.701.237.6601  
DESIGNED BY: TAYLOR

Designed: 10/5/2024  
Printed: 10/8/2024



**KOCH CLASSIC**  
**PLATEAU DOOR 4348 EDGE**  
**MAPLE PECAN**  
**BASE: TOEKICK + SHOE**

**STONE TOPS: QUARTZ REMNANT- CALACATTA VISTA**  
**EDGE: 1/4" ROUND**  
**STD. BACKSPLASH**

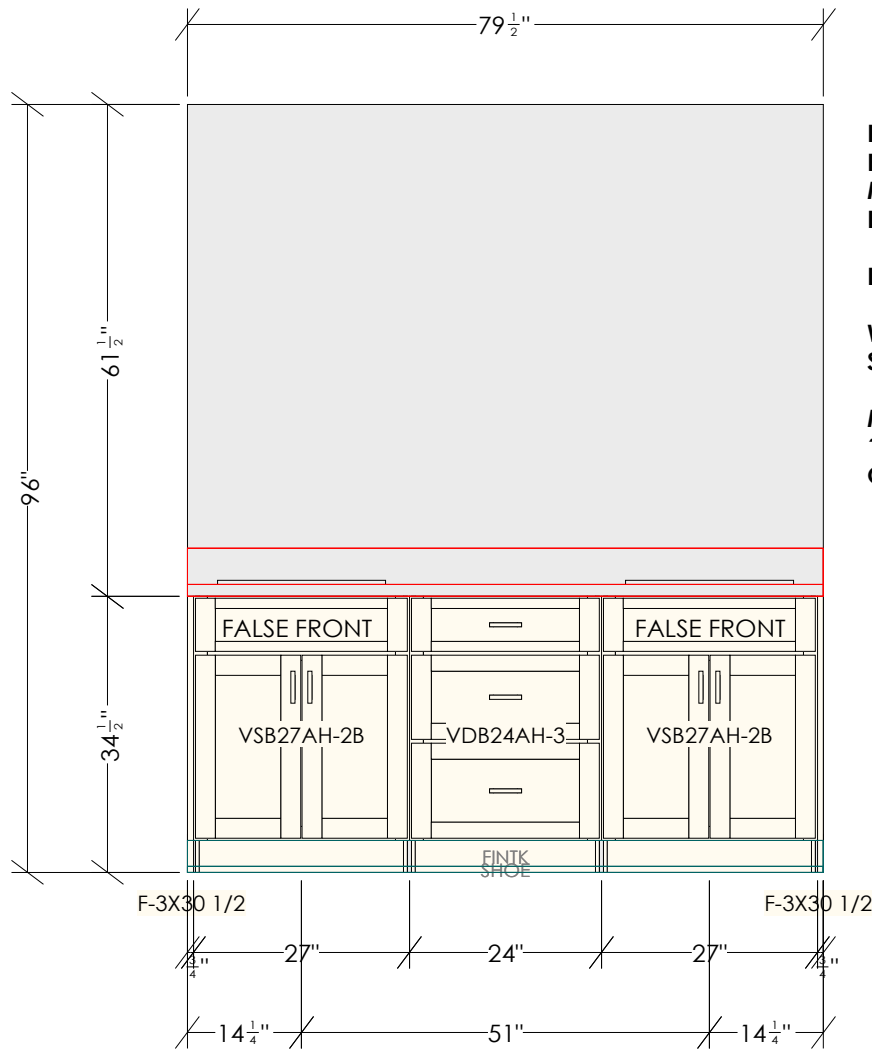
**MATTE BLACK HARDWARE**  
**192 MM 9020-4055-P**  
**QTY: 7**

Dimensions and size are subject to verify on the job site and adjustment to fit job conditions. This is an original design and must not be released or copied unless applicable fee has been paid or job order placed.



DESIGN STUDIO 360  
 FLOOR TO CEILING  
 360 36TH STREET SOUTH  
 FARGO, ND 58103  
 P.701.237.6601  
 DESIGNED BY: TAYLOR

Designed: 10/5/2024  
 Printed: 10/8/2024



**KOCH CLASSIC  
 PLATEAU DOOR 4348 EDGE  
 MAPLE PECAN  
 BASE: TOEKICK + SHOE**

**LAMINATE TOP: FORMICA CALACATTA MARBLE  
 3460-11**

**WATERFALL EDGE  
 STD. BACKSPLASH**

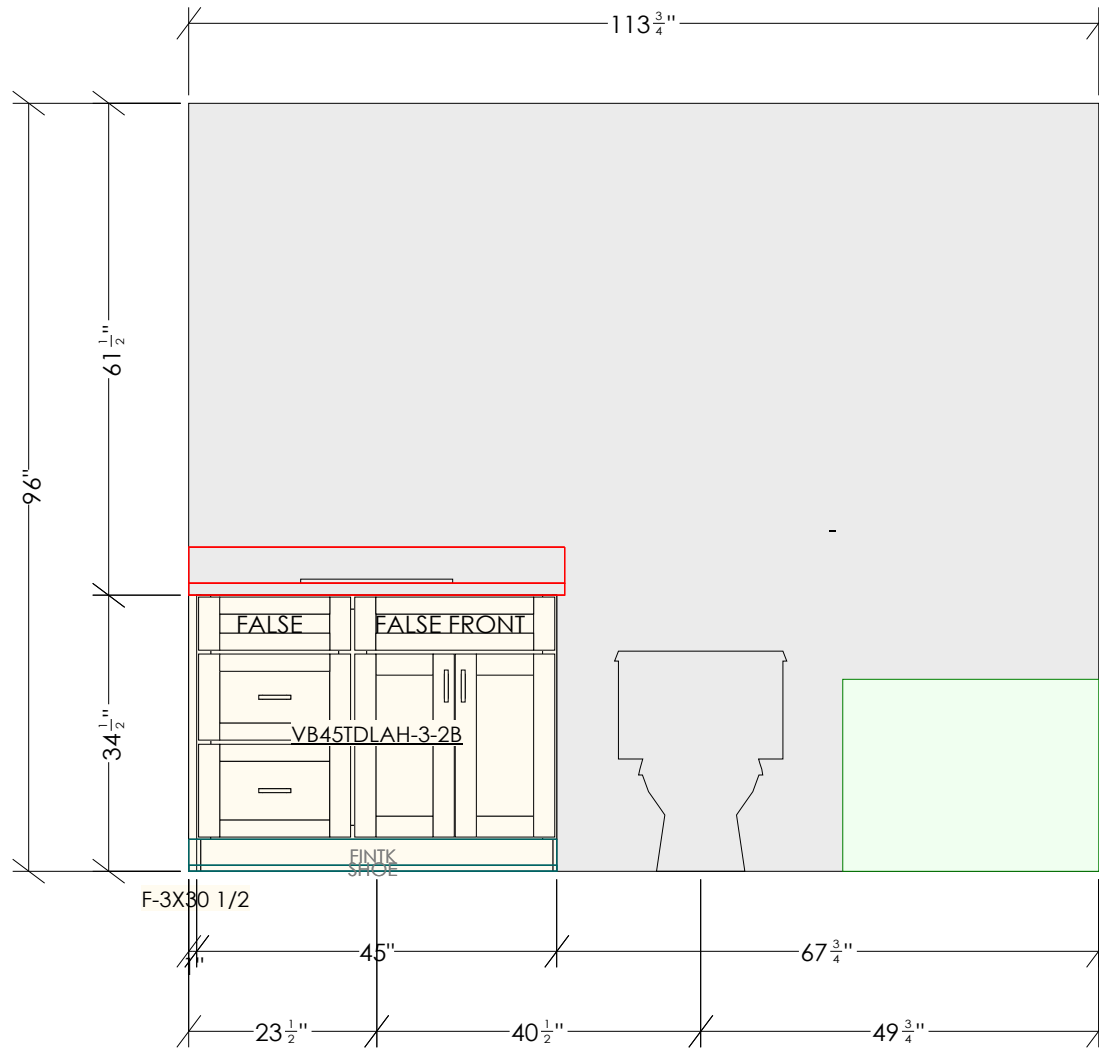
**MATTE BLACK HARDWARE  
 192 MM 9020-4055-P  
 QTY: 7**

Dimensions and size are subject to verify on the job site and adjustment to fit job conditions. This is an original design and must not be released or copied unless applicable fee has been paid or job order placed.



DESIGN STUDIO 360  
 FLOOR TO CEILING  
 360 36TH STREET SOUTH  
 FARGO, ND 58103  
 P.701.237.6601  
 DESIGNED BY: TAYLOR

Designed: 10/5/2024  
 Printed: 10/8/2024



**KOCH EXPRESS  
WINDSOR DOOR SHAKER EDGE  
FOXHALL GREEN  
BASE: TOEKICK + SHOE**

**LAMINATE TOP: FORMICA CALACATTA MARBLE  
3460-11  
WATERFALL EDGE  
STD. BACKSPLASH**

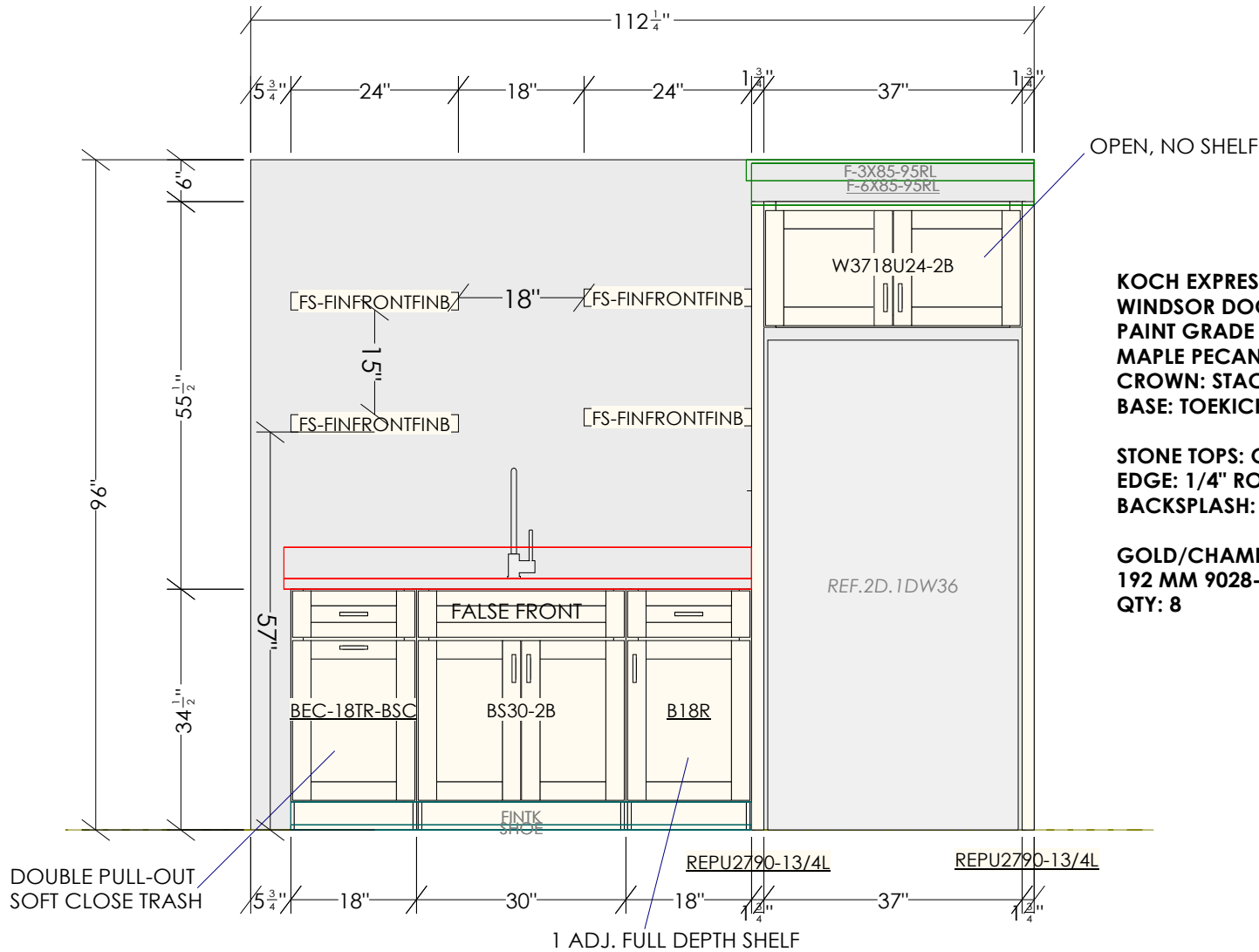
**GOLD/CHAMPAGNE HARDWARE  
192 MM 9028-40CZ-P  
QTY: 4**

Dimensions and size are subject to verify on the job site and adjustment to fit job conditions. This is an original design and must not be released or copied unless applicable fee has been paid or job order placed.



DESIGN STUDIO 360  
FLOOR TO CEILING  
360 36TH STREET SOUTH  
FARGO, ND 58103  
P.701.237.6601  
DESIGNED BY: TAYLOR

Designed: 10/5/2024  
Printed: 10/8/2024



Dimensions and size are subject to verify on the job site and adjustment to fit job conditions. This is an original design and must not be released or copied unless applicable fee has been paid or job order placed.



DESIGN STUDIO 360  
 FLOOR TO CEILING  
 360 36TH STREET SOUTH  
 FARGO, ND 58103  
 P.701.237.6601  
 DESIGNED BY: TAYLOR

Designed: 10/5/2024  
 Printed: 10/8/2024